

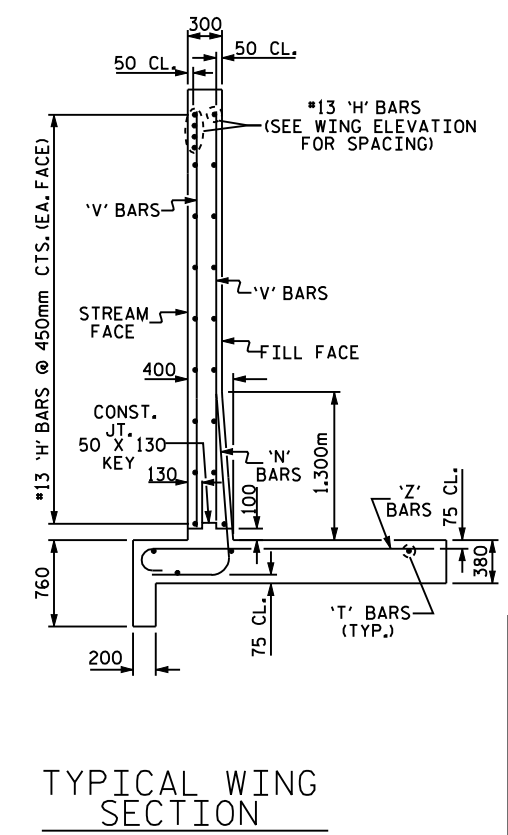
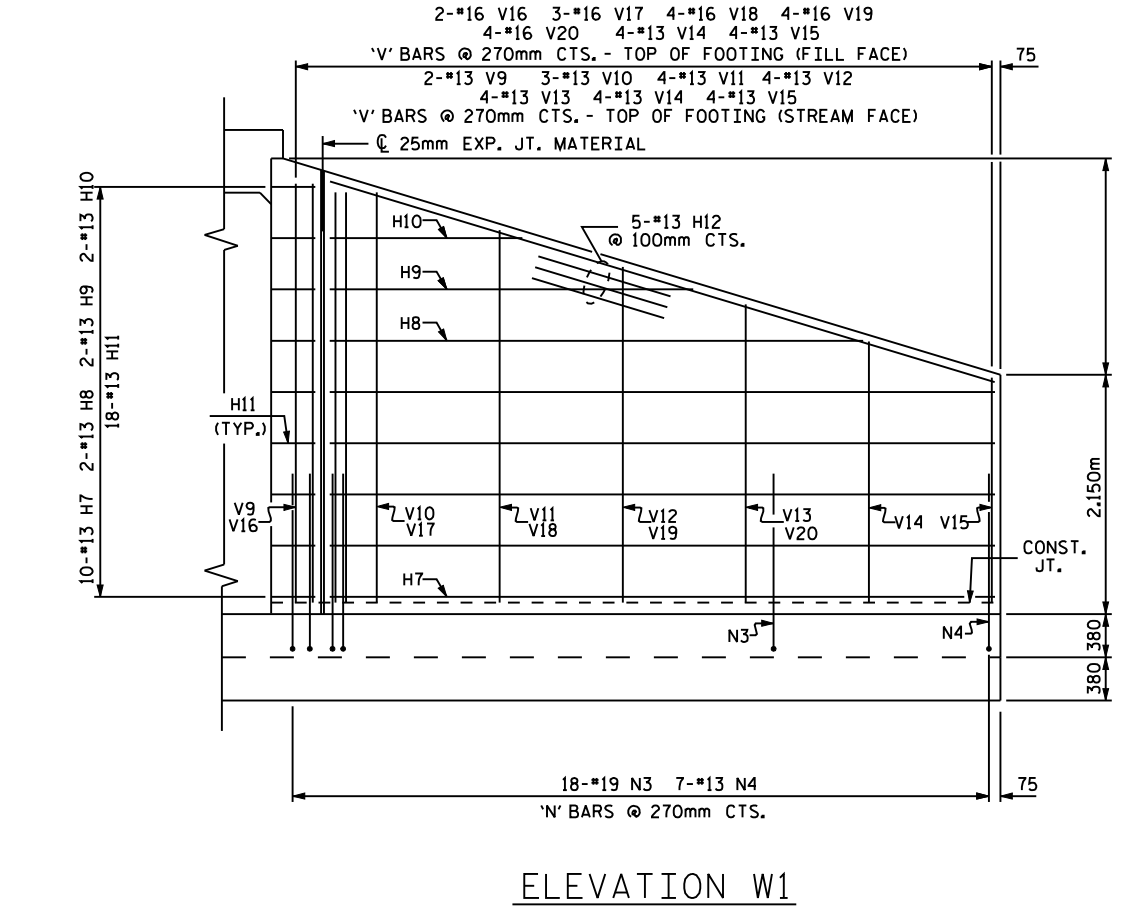
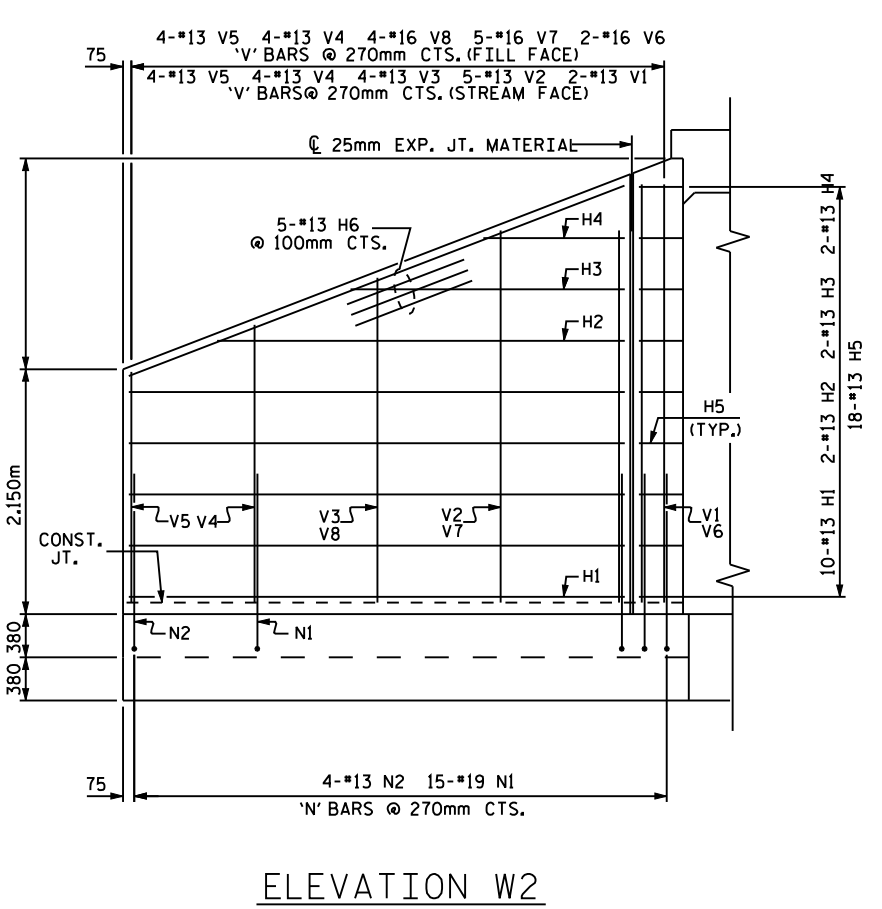
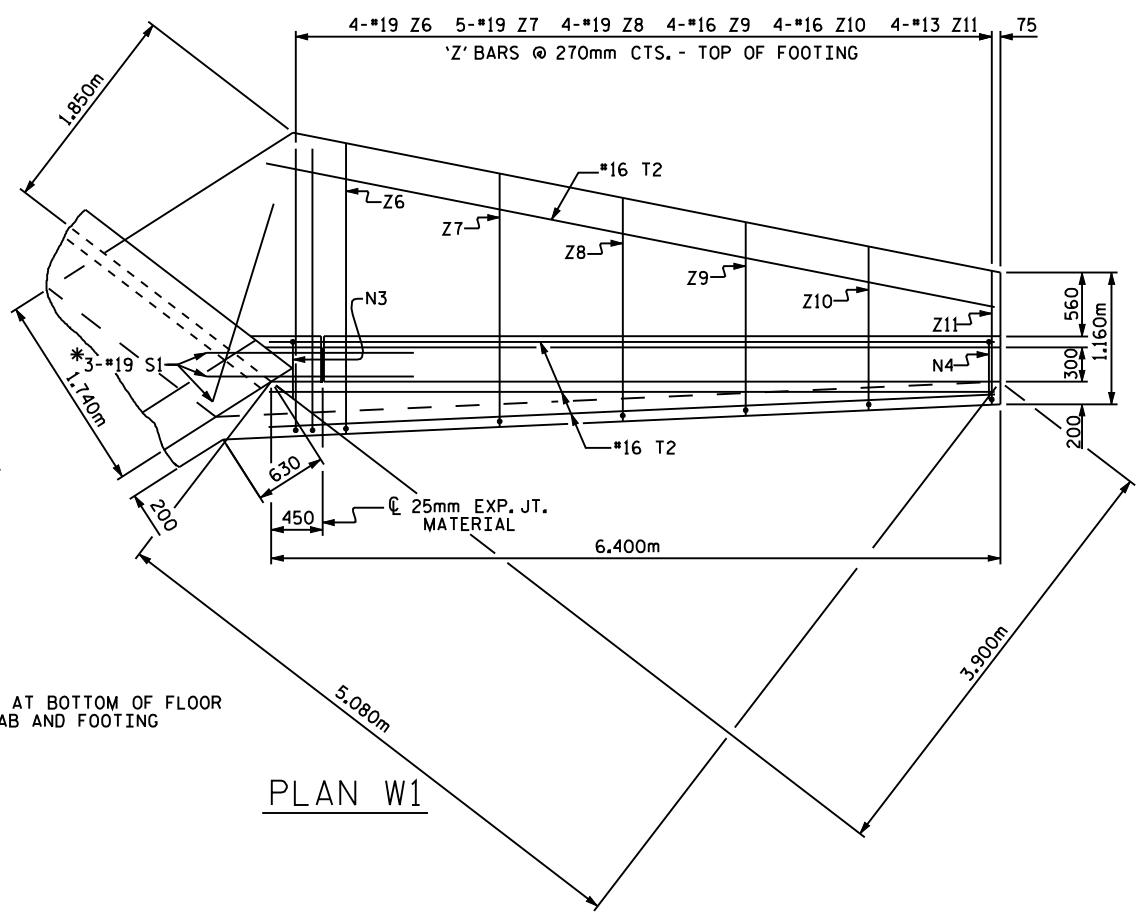
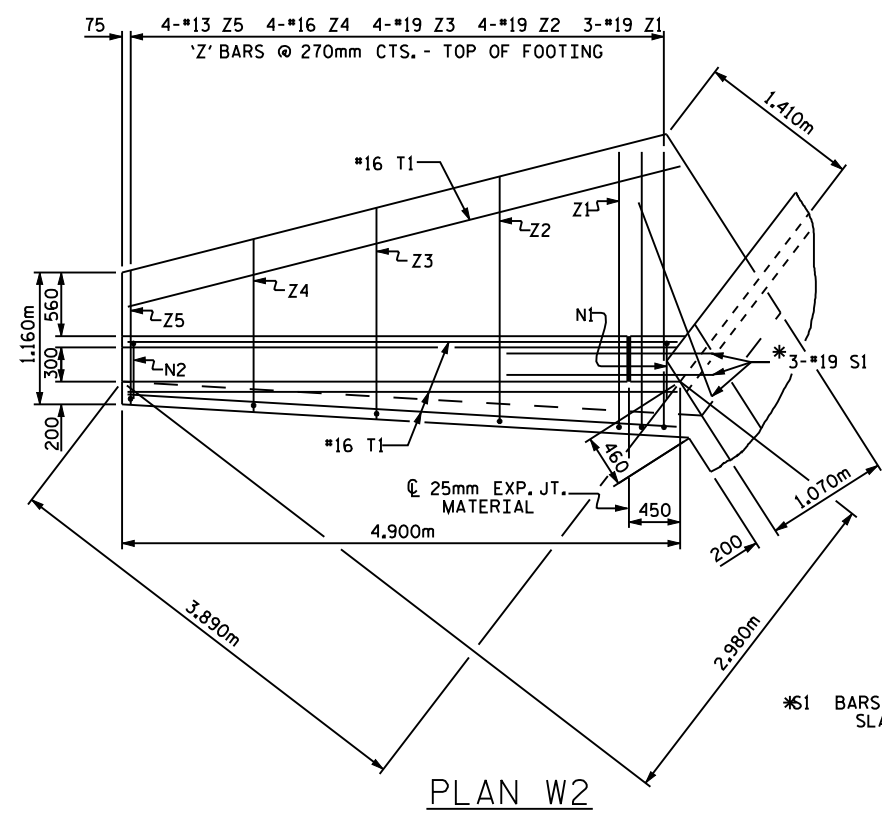
BILL OF MATERIAL

BAR NO.	SIZE	TYPE	LENGTH	WEIGHT	
H1	20	13	STR	4340	86
H2	4	13	STR	3780	15
H3	4	13	STR	2520	10
H4	4	13	STR	1280	5
H5	36	13	STR	980	35
H6	10	13	STR	4620	46
H7	20	13	STR	5840	116
H8	4	13	STR	5120	20
H9	4	13	STR	3480	14
H10	4	13	STR	1840	7
H11	36	13	STR	980	35
H12	10	13	STR	6060	60
N1	30	19	STR	2060	138
N2	8	13	STR	2060	16
N3	36	19	STR	2060	166
N4	14	13	STR	2060	29
S1	12	19	STR	1800	48
T1	8	16	STR	4900	61
T2	8	16	STR	6400	79
V1	4	13	STR	3600	14
V2	10	13	STR	3200	32
V3	8	13	STR	2820	22
V4	16	13	STR	2420	38
V5	16	13	STR	2040	32
V6	4	16	STR	3600	22
V7	10	16	STR	3200	50
V8	8	16	STR	2820	35
V9	4	13	STR	3660	15
V10	6	13	STR	3500	21
V11	8	13	STR	3200	25
V12	8	13	STR	2900	23
V13	8	13	STR	2600	21
V14	16	13	STR	2300	37
V15	16	13	STR	2020	32
V16	4	16	STR	3660	23
V17	6	16	STR	3500	33
V18	8	16	STR	3200	40
V19	8	16	STR	2900	36
V20	8	16	STR	2600	32
Z1	6	19	STR	2600	35
Z2	8	19	STR	2280	41
Z3	8	19	STR	1900	34
Z4	8	16	STR	1540	19
Z5	8	13	STR	1160	9
Z6	8	19	STR	2600	46
Z7	10	19	STR	2260	51
Z8	8	19	STR	2000	36
Z9	8	16	STR	1720	21
Z10	8	16	STR	1460	18
Z11	8	13	STR	1160	9

REINFORCING STEEL FOR 4 WING WALLS **1888 kg**

CLASS A CONCRETE

4 WINGS	42.1	m ³
2 HEADWALLS		m ³
2 END CURTAIN WALLS		m ³
TOTAL		m ³



FOR WING ORIENTATION, SEE BARREL STANDARD SHEET.

ASSEMBLED BY :	DATE :
CHECKED BY :	DATE :
DRAWN BY : JLR 6/97	
CHECKED BY : RH 1/99	

PROJECT NO. _____
 _____ COUNTY
 STATION: _____
 SHEET OF _____

STATE OF NORTH CAROLINA
 DEPARTMENT OF TRANSPORTATION
 RALEIGH

STANDARD WINGS
 FOR
 CONCRETE BOX CULVERT
 H=3.700m SLOPE=2:1
 75° OR 105° SKEW

REVISIONS				SHEET NO.	
NO.	BY:	DATE:	NO.	BY:	DATE:
1			3		
2			4		

TOTAL SHEETS